

OUTDOOR LIGHTING

SWAY PENDANT 100-230V



GENERAL

SWAY PENDANT
Article number _____ Black: 10202470
Black (Extension): 10202475
Pearl Grey: 10202495
Pearl Grey (Extension): 10202520
Category _____ Pendant light
Light source _____ LED
Warranty _____ 5 years

DIMENSIONS

Length _____ -
Width _____ -
Height _____ 20 mm / 0.78"
Diameter _____ 85 mm / 3.35"
Total height _____ -
Recess depth _____ -

ELECTRONICS

Voltage _____ 100-230 V
Output _____ 2.5 Watt
VA _____ 7.1
Power factor _____ 0.34
Light source _____ 24x SMD 0.06 W
Lifetime _____ 25000 hours
Energy label _____ G
Dimmable _____ yes
Length of cable lead _____ 2200 mm / 86.61"

LIGHT SPECIFICATIONS

Color temperature _____ 2900 K
CRI (RA) _____ 96
Luminous intensity _____ 33.6 Cd
Light beam 0-180 _____ 98°
Light beam 90-270 _____ 98°
Net luminous flux _____ 92 lumen
Luminous efficiency _____ 37 lumenwatt

MATERIAL

Ring / Plate _____ aluminum
Lens _____ polycarbonate
Exterior _____ -
Easy Lock included _____ yes
Installation hardware included _____ yes

AVAILABLE PRODUCT COLORS

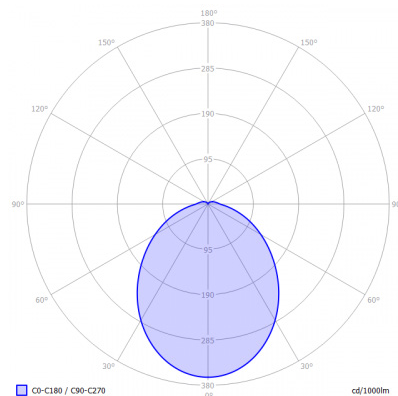
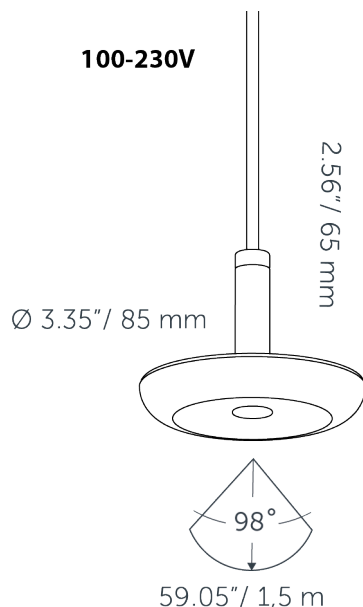
- Light Head Black: 10202400
- Light Head Pearl Grey: 10202405

AVAILABLE ACCESSORIES

-

PROTECTION RATING

IP : 55



in-lite®

ILLUMINANCE - CONE OF LIGHT		
CENTER BEAM (FC)	BEAM DIAMETER (FT)	DISTANCE (FT)
13	3.68	1.6
6	5.28	2.3
4	6.90	3.0
2	8.51	3.7
2	10.12	4.4
1	11.73	5.1

Beam angle (0-180°) (90-270°): 98°
edge illuminance is 1/2 of Centre beam

12 VOLT



ENERGY

in-lite design b.v.
SWAY PENDANT 100-230V

A
B
C
D
E
F
G

2 kWh/1000h

2019/2015

in-lite®